



WI-PS302G-UPS
2GE Ports 24-48V UPS No-Break PoE
Box
Data sheet

Highlights

- 2GE Ports UPS No-break PoE Injector
- Inside battery controller for charge and dis-charge battery circulatory
24-48V PoE output suit for work with wireless AP and Camera at same time
- Support AC 90-240V IN, 12V Battery 30AH Max
- 1*24V/48V PoE Output Select(30W),1 gigabit Uplink port
- 1*12V 3A Max DC Outout,1*24V/48V DC Output Select
- Small size design for outdoor CCTV system waterproof box
- Support DIN-Rail Mount and Wall-Mount

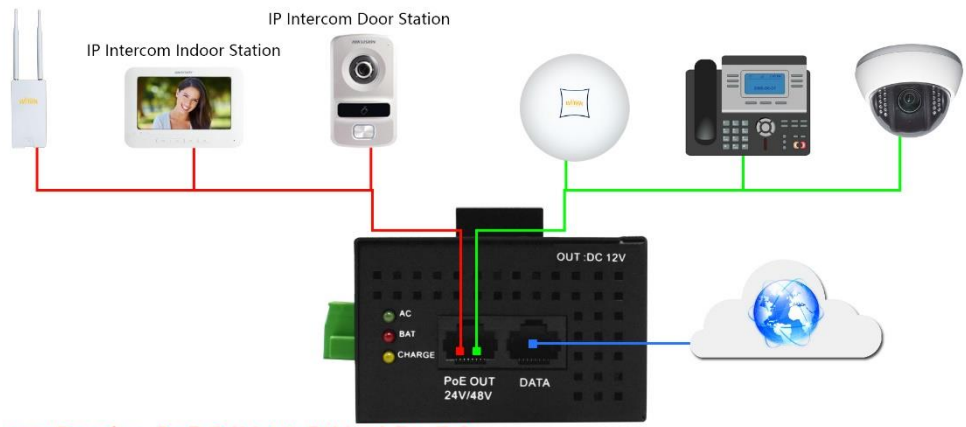
Product



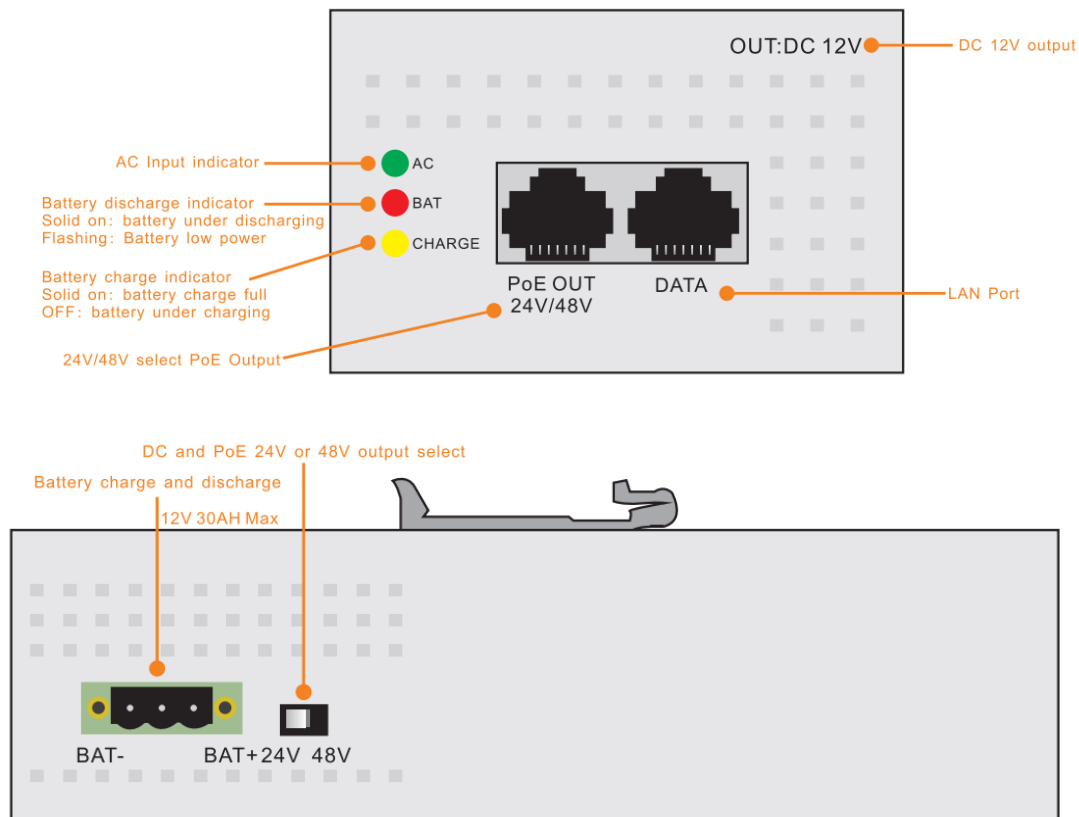
Typical Application



UPS PoE Box for IP-Surveillance



- **Passive PoE 24V 1A PINS 4,5+,7,8-**
Compatibility with Wireless AP/CPE/Intercom Door Station
- **802.3af/at PoE 48V**
Compatibility with IP-camera, Wireless AP



Description

What This Product Does

UPS no-break PoE Box WI-PS302G-UPS provides 2 10/100/1000Mbps ports expanding your network flexibly. WI-PS302G-UPS UPS system is designed specifically for 24V DC PoE equipment like that from Ubiquiti, Wi-Tek, Mikrotik etc and 48V PoE equipment like IP camera, VOIP Phone and wireless AP. The system provides continuous total PoE power on one select 24/48V PoE Output ports. Its inside battery controller maintains the proper charge on the batteries to prevent over charge and controls the load to prevent over discharge. Also It has one 12V 3A Max DC output and one select 24/48V DC Output port can support NVR and Industrial PoE Switch power back-up. This device provides you the ideal solution for CCTV/WISP UPS no break system.

Specification

HARDWARE FEATURES

Interface	2 10/100/1000Mbps RJ45 Ports (Auto Negotiation/Auto MDI/MDIX)
Network Media	10BASE-T: UTP category 3, 4, 5 cable (maximum 100m) 100BASE-TX/1000Base-T: UTP category 5, 5e, 6 or above cable (maximum 100m)
Fan Quantity	Fanless
Power Consumption	30W (max. with PoE device connected) 1W Max (without PoE output)
DC Output	1* 12V 3A Max 1* 24/48V 30W Max Select
Battery Input	12 30AH Max
PoE Ports (RJ45)	48V 802.3af/at PoE 30W or 24V Passive PoE 24W AUTO DETECT
Exchange Capacity	4Gbps
Packet Forwarding Rate	2.98Mpps
Mac Address Table	2K
Packet Buffer Memory	1Mb
Jumbo Frame	10240 Bytes
Dimensions	Product Size: 170mm* 82mm*55mm (L*W*H)

Protection Level	Lightning protection 6KV 6KV ESD Contact discharge
Certification	CE, FCC, RoHS
Package Contents	POE Box Electric Line Guide Book/Warranty Card
Environment	Working Temperature: -30°C~70°C Storage temperature : -30°C~70°C Working Humidity : 10%~90% RH non-condensing Storage Humidity: 5%~90% RH non- condensing



WIRELESS-TEK TECHNOLOGY LIMITED
 www.wireless-tek.com
 Email: sales@wireless-tek.com
 Technical Support: tech@wireless-tek.com